

Western Horsemen of Oregon Pattern Horse Racing



BY-LAWS, RULES, POLICIES AND PROCEDURES 2025

TABLE OF CONTENTS

W.H.O. Amended Constitution and By-Laws

<i>Board of Directors</i>	1
<i>Membership</i>	2
<i>Committees</i>	10
<i>Annual Dues</i>	10
<i>Contracts, Checks, Deposits and Refunds</i>	11
<i>Records</i>	12
<i>Rules For Amending</i>	12

W.H.O. Rules

<i>Rule Change Procedures</i>	13
<i>General Rules</i>	14
<i>Event Descriptions</i>	20
<i>Equipment</i>	35
<i>Penalties</i>	36
<i>Disqualifications</i>	37
<i>Classification Rules</i>	38
<i>A-B-C-D Time Breaks</i>	41
<i>Supreme Horse Time Breaks</i>	41

W.H.O. General Policies and Procedures

<i>Membership Policies</i>	42
<i>Show Approval</i>	42
<i>Record Procedures</i>	44
<i>Oregon Record Times</i>	45
<i>Beat Washington Show</i>	46
<i>Interstate</i>	47
<i>Judges/Timers</i>	49
<i>Judges Signals</i>	53
<i>Current Approved Judges & Timers</i>	54
<i>Annual Awards and Convention Information</i>	54
<i>System for Figuring Stacked Awards</i>	55

OFFICERS AND DIRECTORS

President.....	Tasha Ballstaedt	circletranch94@gmail.com
Vice President.....	Jake Hart	jakehart1990@gmail.com
Secretary.....	Sara Hart	hart.sara.c@gmail.com
Treasurer.....	Leslie Davis	(360) 892-3256
Junior Director.....	Jade Ballstaedt	jadeballstaedt@gmail.com
2yr. Directors.....	Tiffany Meuret Candy Spahn	tmeuret88@hotmail.com cspahnrun@gmail.com
1yr. Directors.....	Kattie Ackley David Trachsel Tully Ferrando	kattiehoffman@gmail.com dtrachsel1894@gmail.com tully.ferrando@gmail.com
Points Secretaries.....	Suzie Kennell Marilyn Norris	suzie.mike@frontier.com lonnieandmarilyn@comcast.net
Social Media Director.....	Sara Hart	hart.sara.c@gmail.com
CCGA Representative.....	Marilyn Norris	lonnieandmarilyn@comcast.net
NORA Representative.....	Terri Weber	m3tweber@charter.net
SOGO Representative.....	Tom Delker	weldedshoestom@gmail.com

AMENDED CONSTITUTION AND BY-LAWS OF WESTERN HORSEMEN OF OREGON *as of January 2025*

Article I – Purpose

To promote among horsemen of Oregon the western horse and rider in pattern horse racing events. This organization shall be a non-profit, Mutual Benefit Corporation as required by the Oregon Non-Profit Corporation Act.

Article II – Membership

Any individual(s), or organized and recognized pattern horse racing club, interested in the objectives and purpose of promoting and engaging in pattern horse racing events shall be eligible for membership, and shall be enrolled as a member upon payment of dues.

Section I: Classes of Membership Rights

Membership shall be divided into several classes, which shall be defined as follows:

- a. Senior Individual Voting Membership - shall consist of any person who has reached his/her eighteenth (18th) birthday prior to August 1st of the calendar year during which application for membership is made.
- b. Junior Individual Voting Membership - shall consist of any person who has not reached his/her eighteenth (18th) birthday by August 1st of the calendar year during which application for membership is made.
- c. Family Membership - shall consist of all immediate members of the family up to 18 years of age who reside within one household, each of whom shall be entitled to vote, providing he/she shall have individually reached their twelfth (12th) birthday prior to August 1st of the calendar year during which membership is made.

d. Gold Card Membership - shall consist of a man or woman who is nominated by the Gold Card Committee to the Board of Directors, and whose status is voted on by the majority of the Board of Directors, and who meets the criteria for Gold Card status, as outlined by the Gold Card guidelines.

e. Non-Voting Member - Newsletter Only - shall consist of a five-dollar (\$5) fee, which pays for a one-year newsletter subscription. This person(s) is/are entitled to a newsletter only with no voting rights.

f. Voting Non-Rider - shall consist of any person not eligible for any membership classifications listed above.

g. Club Affiliate - any individual(s), or organized pattern horse racing club.

Section II: Voting Rights

Each member entitled to vote shall have a vote on each matter submitted to a vote of the membership. No proxy voting shall be allowed.

Section III: Termination of Membership

The Board of Directors may, by a majority vote of those present at any regularly constituted meeting, terminate the membership of any member who becomes ineligible for membership for default in payment of dues for the period fixed in Article V, Section 1 of these By-Laws. Such termination of membership shall take effect immediately upon the Board of Director's action.

Proposing Termination: All disputes that are brought to the WHO Board of Directors shall be given to said party by Certified Mail. The board shall listen to both sides of dispute to discuss matter before making final decision on termination.

Section IV: Suspension or Expulsion

Any member may be suspended or expelled for conduct detrimental to the best interests and purposes of this organization by affirmation vote therefore, by two-thirds of the members of the Board of Directors present at any regularly called meeting. Any person(s) being looked at for expulsion or suspension shall be invited to WHO Board Meeting to discuss both sides of dispute.

Section IV: Delinquent Debt

Any member who has been duly notified of a delinquent debt incurred at an approved show shall have thirty (30) days from the date of debt to pay said debt in full. Failure to comply will result in the permanent loss of all times and points earned (except for classification purposes), and the rider shall not be allowed to enter an approved show until debt is paid.

Section V: Reprimand or Censure

Any member may be reprimanded or censured by a majority vote of the Board of Directors or of such other committee as may be established by the Board of Directors, for violation of such rules and regulations as may be adopted by the Board of Directors. Such reprimand and censure shall be imposed only after violation has been determined pursuant to procedures established by the Board of Directors.

Section VI: Annual Meeting

An annual meeting of the members shall be held once yearly during the last quarter of each calendar year for the purpose of electing directors and for the transaction of such other business as may come before the meeting.

Section VII: Special Meetings

Special meetings of the membership may be called at any time by the President or by two-thirds of the members of the Board of Directors.

Section VIII: Place of Meetings

The Board of Directors shall designate the place, within the State of Oregon, as the place of meeting for any annual meeting called by the Board of Directors. In case of a special meeting, or when required by statute or by these By-Laws, the purpose or purposes for which the meeting is called shall be stated in the notice. If mailed, the notice of a meeting shall be deemed to be delivered when deposited in the US mail addressed to the member at his address as it appears on the records of the organization, with postage thereon prepaid.

Section IX: Notice of Meetings

Written or printed notice stating the place, day, and hour of all meetings of members shall be delivered either personally, by mail, email, or by notice in the official publication of this organization, to each member entitled to vote at such meeting, not less than ten (10) nor more than fifty (50) days before the date of such meeting.

Section X: Quorum

Business will be conducted with those present at the annual meeting.

Article III: Board of Directors

The officers and directors of this organization shall consist of a President, Vice-President, Secretary, Treasurer, Junior Director, , Immediate Past President, and four Directors at Large. All terms of office shall be for one year, except the four directors at large shall serve alternate two-year terms, with two expiring each year. In the event the incumbent President is elected to a second term of office, there will be one director elected at large for a one-year term. Any office position may be held for more than two (2) consecutive years except for the President or Vice President.

Section I: General Powers

The Board of Directors shall have the entire supervision and management of the affairs of the Organization and to that end, rest the duties and responsibilities and final authority for the conduct of the Organization in all

matters except, not in conflict with the law or the By-Laws of this Organization, as it shall deem necessary for the conduction and carrying on of the business, purposes, properties, and for the safe-guarding of the interests of the Organization. However, it is provided that they may at any time, refer any matter to the entire membership for general consideration, with the Board prescribing the manner of voting thereon. The Board of Directors by a majority shall authorize the spending of money received.

Section II: Election and Terms of Office

Directors will be elected at the Annual Meeting of the Organization to be held during the last quarter of each calendar year, and shall take office on the first day of January after the election. They shall be elected by a majority vote of the membership present at such meeting. The President shall appoint a nomination committee of at least three members no less than one month prior to the annual meeting for the purpose of presenting a slate of nominees to the membership, and they shall be accepted as nominated. Nominations from the floor will also be accepted at the annual meeting.

Section III: Duties of Officers

President - shall be responsible for the general business, transactions, and management of the Organization. He/she shall conduct the Board of Directors and general meeting under the Robert's Rules of Order or Gregg's Parliamentary Law.

Vice-President - shall take over the duties and responsibilities in absence of the President, as described above. He/she will also be the chairperson of the Beat Washington Committee.

Secretary - shall keep the minutes of the meetings of the Board of Directors and the annual meeting of the general membership in one or more books provided for that purpose; see that all notices are duly given

in accordance with the provisions of these By-Laws or as required by law; maintain an accurate and up-to-date list of the addresses of each member.

Treasurer - shall have charge and custody of, and be responsible for, all funds and securities of the Organization; receive and give receipts for moneys due and payable to the Organization from any source whatsoever, and deposit all such moneys in the name of the Organization in such banks, trust companies or other depositories as shall be selected in accordance with the provisions of Article VI, Section 3 of these By-Laws; and in general perform all the duties incident to the office of Treasurer and such other duties as from time to time may be assigned to him/her by the Board of Directors.

Section IV: Member Club Representative

To also serve on the Western Horsemen of Oregon Board. Included with club membership, each Member Club may elect one member to the Board of Directors of Western Horsemen of Oregon to serve a one-year term. The member must also be a member of Western Horsemen of Oregon. This is to apply only to organized and recognized saddle clubs and/or posses, and to those that do elect officers on an annual basis. Should the number of clubs from one area become too large, the Board of Western Horsemen of Oregon reserves the right to group representation. Member club shall notify the secretary of Western Horsemen of Oregon as to who their director and alternate is when they join. Only named alternate may vote in the absence of director.

Section V: Disqualifications

A director may be declared disqualified and removed as a Director upon two-thirds majority vote of the Directors at any regular meeting, providing special notice thereof is sent to said disqualified Director of such meeting as herein specified. Disqualification shall be considered by the Board of Directors after any board Member has missed three (3) consecutive Board meetings, without justifiable cause, or when said Board determines that it is in the best interest of the Organization that said Director be removed.

Section VI: Vacancies

The President shall fill any vacancy occurring in the Board of Directors. A Director appointed to fill a vacancy shall be appointed until the next annual election. Election will be held at the next annual meeting for the balance of the unexpired term.

Section VII: Increase in Board Members

Any directorship to be filled by reason of an increase in the number of directors shall be filled by the Board of Directors.

Section VIII: Resignation

Any Director may resign by written notice directed to the Secretary.

Section IX: Regular and Special Meetings

The Board of Directors shall hold at least five (5) meetings a year, one of these may be the Annual meeting. One meeting, or more due to emergency circumstances, may be conducted via conference call or electronic medium (Zoom, M/S Team, etc.) at the discretion of the President. It shall be the duty of the board to act upon matters of business, which are to be prescribed at regular meetings of the Organization, and to fill vacancies that may arise between meetings.

Section X: Place of Board Meetings

The Board of Directors may designate any place, within the State of Oregon, as the place of meeting for any regular Board of Directors meeting, or for any special meeting. If all of the members of the Board of Directors shall meet at any time and place, within the State of Oregon, and consent to the holding of a meeting, such meeting shall be valid without call or notice, and at such meeting any Organization action may be taken.

Section XI: Notice of Board of Directors Meetings

Notice of any meeting of the Board of Directors shall be given not less than ten (10) days nor more than thirty (30) days before the date of such meeting

by written notice delivered personally, email, in the official publication of the Organization, or sent by US Mail to each Director at his/her address as shown by the records of the Organization. If mailed, such notice shall be deemed to be delivered when deposited in the US Mail as addressed, with postage thereon prepaid. Any Director may waive notice of any meeting. The attendance of a director at any meeting shall constitute a waiver of notice of such meeting, except where a director attends a meeting for the express purpose of objecting to the transaction of any business because the meeting is not lawfully called or convened. Neither the business to be transacted at, nor the purpose of any regular or special meeting of the Board need be specified in the notice of waiver of such meeting, unless the meeting is called for the purpose of consideration of a Director's disqualifications as a member of the Board of Directors. Notice of Board Meetings can be done via E-Mail, phone call, or mail.

Section XII: Quorum

A majority of the members of the Board of Directors shall constitute a quorum for the transaction of business at any meeting of the Board, but if less than majority of the Directors are present at said meeting, a majority of the Directors present may adjourn the meeting from time to time without further notice. The act of a majority of the Directors at a meeting at which a quorum is present shall be the act of the Board of Directors, unless the act of a greater number is required by law, or by these By-Laws.

Section XIII: Proxies

No Director may have any other person vote for them at any meeting of the Board of Directors.

Section XIV: Informal Action by Directors

Any action required by law to be taken at a meeting of Directors, or any action which may be taken at a meeting of the Directors, may be taken without a meeting, if consent in writing, setting forth the action so taken, shall be signed by all of the Directors entitled to vote, with respect to the subject matter thereof.

Section XV: Indemnification of Directors and Officers

It shall be mandatory for the corporation to indemnify all officers and directors against expenses, judgments, fines, settlements, and related matters incurred on behalf of, or in the course of, transacting business for the corporation to the full extent permitted by Oregon law.

Article IV – Standing Committees

There shall be the following standing committees, and/or chairpersons appointed by the President and subject to the approval of the Board of Directors:

- a. Interstate Committee (5 or 6 members)
- b. Judges & Timers Chairperson
- c. Show Approval Chairperson
- d. Historian Chairperson
- e. Hall of Fame Chairperson
- f. Gold Card Chairperson
- g. Jr. Scholarship Chairperson
- h. Rules Chairperson
- i. Awards Chairperson
- j. Newsletter Chairperson
- k. Jr. Representative - to be on the Board with no voting powers
- l. Summer Show Chairperson
- m. W.H.O. Annual Convention Chairperson
- n. Beat Washington Chairperson (Vice-President)
- o. Social Media Chairperson
- p. Points Secretaries (with Board approval)

Article V – Annual Dues

The Board of Directors shall determine the annual dues, payable to the Organization by each class of members for the succeeding fiscal year.

Section I: Payment of Dues

Membership year will run from August 1st to July 31st. Dues must be paid before points or times will be awarded. Upon membership fees, members will receive a Western Horsemen of Oregon number. This membership number must accompany all entry forms and correspondence.

Section II: Default and Termination of Membership

When any member shall be in default in the payment of dues, the membership of said person or group might thereupon be terminated by the Board of Directors in the manner provided in Article II, Section 3 of these By-Laws.

Article VI – Contracts, Checks, Deposits and Refunds

Section I: Contracts

The Board of Directors may authorize any officer or officers, agent or agents of the corporation, in addition to the officers so authorized by these By-Laws, to enter into any contract or execute and deliver any instrument in the name of and on behalf of the corporation, and such authority may be general or confined to specific instances.

Section II: Drafts, Checks, etc.

All checks, drafts, or orders for payment of money, notes or other evidences of indebtedness issued in the name of the Organization, shall be signed by the Treasurer or President of the Organization.

Section III: Deposits

All funds of the Organization shall be deposited from time to time to the credit of the Organization in such bank, trust company, or other depositories as the Board of Directors may select.

Section IV: Disbanding

All assets and funds are to be turned over to the OSU Veterinary School, Equine Division, upon the disbanding of the organization.

Article VII – Books and Records

The Organization shall keep correct and complete books and records of account and shall also keep minutes of the proceedings of its Board of Director's meetings and Committee meetings having any of the authority of the Board of Directors, and the Secretary shall keep a record giving the names and addresses of the Board and/or committee members entitled to vote. Any member, or his agent or attorney may inspect all books and records of the Organization, for any proper purpose at any reasonable time, within at least 10 days subsequent to written notice of such request.

Article VIII – Audit of Book

An auditor or audit committee may be designated by the Board of Directors prior to the close of the business in each fiscal year, who shall examine the books of account of the Organization and shall certify to the Board of Directors and members, the annual balances of said books. The compensation of the Auditor, if selected, shall be fixed by the Board of Directors. The Board of Directors, at its discretion, may choose not to hire an outside Auditor of the books of record, but rather have an auditing committee review the books of record internally.

Article IX – Waiver of Notice

Whenever any notice is required to be given under the provision of the Oregon Non-Profit Corporation Act or under the provisions of the Articles of Incorporation or by the By-Laws of the Organization, a waiver thereof in writing signed by the person or persons entitled to such notice, whether before or after the stated herein, shall be deemed equivalent to the giving of such notice.

Article X – Rules for Amending

An amendment to this constitution must be introduced at any regular meeting, after which it will be submitted to a vote of the entire membership either at a general meeting or by mail vote. Two weeks must elapse between notification of amendment and vote on same. A majority of those voting is required to adopt the proposed amendment.

Article XI – Parliamentary Procedure

All meetings of the members, Board of Directors, or Committees shall be conducted in keeping with the parliamentary procedures set forth in the Robert's Rules of Order or Gregg's Parliamentary Law.

Article XII – Amendments to the By-Laws

These By-Laws may be altered, amended or repealed and new By-Laws may be adopted by a majority of the Board of Directors present at any regular meeting or at any special meeting, if at least thirty (30) days written notice is given of any intention to alter, amend or repeal, or adopt new By-Laws at such meeting.

W.H.O. RULES

Rule Change Procedures

In order to make a rule change, it must be submitted to the Rules Committee in rule change format, forms can be obtained by contacting the Rules Committee. The proposed new rule or rule change must be published in the Western Horsemen of Oregon Newsletter thirty (30) days prior to being voted upon by the general membership either by mail-in ballot, email, or at a general membership meeting, to become effective on the date stated in the proposal.

General Rules

Section I: Judges Decisions are Final

At all approved Western Horsemen of Oregon shows the decision of the judge is final. Each show shall retain two judges and two timers. They will each receive a portion of the five dollar (\$5) per rider fee. If a No Time is called and rider wants to file a grievance, rider must ask for a "time hold" before exiting the arena. A grievance form is filled out, a fee of \$50.00 paid, and taken to the show secretary and a decision is to be made by the board members. If the judge's decision is overturned the fee is returned to the rider, if the decision stands, the fee goes to WHO.

Section II: Show Office & Equipment

Western Horsemen of Oregon is to retain a Show Secretary, Judges and Timers at its own shows.

Section III: Tack

Western equipment is to be used. Saddles must have a horn; bridle type is optional (no halters). All tack must be in good working condition.

Section IV: Dress Code

Western boots or equine lacer with sewn-on sole and drop-down heel (minimum of 1/2") are required in all events using a saddle except for riders being rescued and Bareback Relay riders. While competing, riders must wear neat, clean attire suitable for a family orientated equestrian event. No ripped jeans or shirts, no shorts or cut off pants or tank tops permitted. Long pants are required. Sleeve length is rider's option. Sweatshirts or jackets are permitted over approved shirts. Western hats are preferred, but baseball caps and visors are permitted as long as they do not contain alcoholic beverage, cigarette, tobacco, or narcotic advertisements or logos, or crude or offensive language or innuendos. All clothing, hats, and equipment are subject to Judge's approval. Judges have the right to inspect clothing or equipment at any time. Judges must give a mandatory warning prior to disqualifying any rider for improper attire or equipment. The Judge's call is then not contestable. This rule on attire applies

to all shows except Interstate. Interstate requires clearly identifiable western wear and baseball caps, visors, and similar are prohibited. Western wear or polo shirts may be designated by show secretary, must be clearly identified on entry form and posted at show office.

Section V: Whips

Bats, spurs, and over-and-unders shall be open to inspection by Judges. Should these properties be found to be abusive by nature (such as pronged, weighted or cutting), they shall be banned from use. No warnings shall be required.

Decision of the Judge is final.

Section VI: State of Animal

Horses entered in a questionable state may be subject to inspection by a team of two or more judges. If the judges deem the horse unfit for use, the horse may be barred from competition at said show.

Section VII: Classes

Horse may be entered only once in each class; Jr., Sr., A, B, C, and D considered separate classes. Rider may ride more than once in individual events only. Rider may not enter an event after it has started (A, B, C, & D being one event). Rider may not add a class after event has started with the exception of adding oneself to the Open class. It will be the rider's responsibility to ensure rider and horse numbers have been recorded. Rider first entering for the day may do so, i.e., person arriving to run C and D barrels after event has started, can do so. A rider or horse may only appear once in two- & four-man events. All entries shall be paid before a rider enters arena for first class. Times will not count until entries are paid.

Section VIII: Entry Fees

Pre-entries will be a maximum of \$2.70 per event and late entries will be a maximum of \$3.00 per event, with the extra monies going to show office. This is not a mandatory charge and must be posted prior on the show sheet.

Section IX: Judges and Timers

Two timers must be at the finish line and not less than one qualified judge (two recommended) shall be provided for each group or rider to be judged. The time of the first timer (electric timer recommended) shall be official unless he/she fails in getting the exact start or in the event of a watch failure; in which case, the second timers' reading shall be official. Back-up timers to an electric timer must be a card-carrying timer. Judge is to watch for infractions of the rules. When judge is in doubt, the benefit goes to the rider. At an approved show, only judges and timers carrying current cards may officiate. When times are recorded they shall be recorded using the third digit to be read in the thousands. If the electric timer fails and the backup time is used the last digit will be a zero.

When there is a shortage of a judge and/or timer, in an individual event only, a person that is both a qualified judge and timer is allowed to be the judge and timer for said event until a judge or timer is available to take over the duty of a judge or timer. The one person judge and timer cannot be the same in any team event or keyhole. This is only to be used in a "temporary" situation and not for the purposes of an entire show.

Section X: Time

Time shall be taken when the horse crosses the line both at the start and finish. In pair events, time shall be taken on the first horse to cross the line.

Section XI: Bareback Relay/Rescue

There will be a white line at the start of Bareback Relay and mounting line for Rescue Race. All other starting lines will be assumed.

Section XII: Tied Together

In no event will horses be allowed to be tied together.

Section XIII: Starting Poles

In all events (except barrels) two poles spaced thirty (30) feet apart shall designate the length of the start and finish line, and a horse must pass between

these poles at the start and finish or be considered off course. Starting poles for Barrels is to be sixty (60) feet apart.

Section XIV: Measuring the Course

When the course is measured, the measurement shall be taken from the center of the barrels, poles, containers or other properties. Properties location will be marked with a lime dot. Barrels may be marked with a stake and rope at center of barrel. A course may be moved for safety reasons and riders shall choose to either rerun or keep their original run. If a course is more than 8 inches short or long, it shall be reset and all riders must rerun or take a no time.

Section XV: Ties

If jackpot, money will be split. If trophies, ribbons or other awards, riders must flip for placing. Points will be split. When tied for High Point, go to the most 1st places; if still tied, most 2nd places, etc.

Section XVI: Mounted

Riders shall be considered mounted with the knee over the centerline on the horse's back. In events where mounting is required, rider must be mounted when crossing the finish line.

Section XVII: Running Two Lines

When two lines are run, riders must take the first available line.

Section XVIII: Re-rides

In the event of interference, a re-ride shall be at the discretion of the official judge or judges, with all re-rides to be run after the last rider in that event has completed the course. No re-rides will be permitted for the following: falling horse, broken equipment or improperly reset equipment. On any re-rides granted for failure of all timing devices, five (5) second penalties received on the first run, if completed, shall carry over on the second run and no additional five second penalties may be incurred. A re-ride has to be a qualified run in order to count. Rider must run on same side as original run to be a qualified re-ride.

Section XIX: Ground Rules

Must be printed on the program and called to the attention of all contestants by the announcer and posted in a conspicuous place. Show committees must not amend or substitute established general rules, penalties or disqualifications.

Section XX: Equipment

Refer to Equipment specifications for rules concerning equipment.

Section XXI: Pee Wees

Pee Wee riders must be 10 years and under, as of August 1st, and may ride any horse. It will be up to each show chairman to offer Pee Wee classes at a show. Pee Wees can be accompanied by an adult without penalty as long as qualified run is completed. Flag events and two- or four-man team events are not allowed in Pee Wee classes. Pee Wee riders must have ridden in at least six (6) WHO approved shows, of that year, in order to qualify to ride at the Beat Washington Meet. Pee Wee times shall count towards classification. No Pee Wee under the age of 3 will be allowed in the Pee Wee Classes.

Section XXII: Advertising

Newsletter - Advertising space in the newsletter can be bought for the following prices: full page \$25, half page \$15, quarter page \$5, and under 25 words \$2.

Website – For an annual fee of \$50, a member may have a link on the WHO website which will link to the advertiser's web page. (Services must pertain to WHO)

Section XXIII: Team Captain

A "Team Captain" will designate four-man teams. The Captain and any team members **must** be current WHO members for times and points to count (for year-end awards or Interstate). Four-man teams will be entered and times/points tracked based upon the Team Captains. Riders/horses substitutions for four-man team events will no longer be recorded/tracked by points

secretaries. At the conclusion of the points year, the Team Captain will notify the points secretaries of the four-riders/horses, which will comprise the team for the purpose of Interstate and annual awards.

Section XXIV: Dogs

All dogs must be kept contained for safety and insurance reasons.

Section XXV: Accompanied Riders

No rider can be accompanied by another person in a classified event without receiving a No Time.

Section XXVI: PSHA

Patterned Speed Horse Association (PSHA) approved games shows to be included in averages for WHO times must be submitted by the rider on the approved form to the WHO timekeeper. Times must be postmarked within 72 hours except for the last weekend, when times must be postmarked within 24 hours. To be accepted, 85 cents per ride must be included and either the show steward or the show chairman must initial the form. Forms will be available on the website. Fees will be paid on **every event entered** at a rate of 85 cents per ride. Times will not count for WHO records. Any rider competing at the PSHA State Championship show must compete for WA at the OR/WA Interstate show.

Mail original form and check payable to WHO to Suzie Kennell, 24952 SE Bohna Park Rd., Boring, OR 97089.

Section XXVII: Unattended children

Children under eight (8) years old are not allowed in the arena without a parent or supervising adult.

Section XXVIII: Approved Playday Times

A rider may submit their times run at a member club playday that is open to all riders, for year-end averages and classification. These shows shall be input as an Open Class show only and times will not count for points. Only two times

from a playday may count for year-end averages and classifications. Playday times will not count for WHO record times. One of the required three times shall be run at an official WHO show. The playdays must have WHO approved equipment and judges and timers. The judge and timer shall be responsible for setting up the courses and timeline. The judges and timers shall sign the submitted forms testifying that the classes were set up by a WHO judge, and the timer shall verify the times are accurate. Riders should also take photos of their times run in case of any inquiries. Forms will be available on the website. Forms and checks payable to WHO must be postmarked within 48 hours of the show and sent to the WHO timekeeper. Fee shall be \$10 submission fee and \$5 for every event. If the show runs 2 or 4 rider teams, each rider must submit a form for times to count. **Mail original form and check payable to WHO to: Marilyn Norris, 13300 SW 121st Avenue, Tigard, OR 97223**

EVENT DESCRIPTIONS

Keyhole Race

Section I

A keyhole will be marked with lime according to the diagram included with this event.

Section II

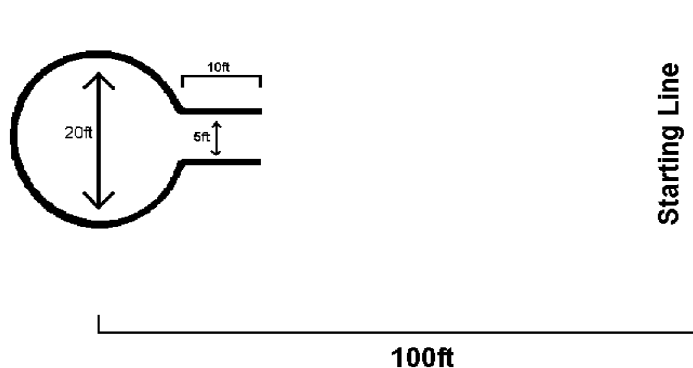
At the starting signal, rider crosses the starting line, races into the circle of the keyhole, turns his horse and returns across the starting line. All four (4) feet must go into the circle.

Section III

Stepping on, or outside any lines of the keyhole will disqualify the horse and rider. A judge must be at the keyhole to decide upon these disqualifications, and his/her decision shall be final.

Section IV

It will be considered off course when horse goes by entrance lines.



Polebending (Individual)

Poles: (Optional)

To be white with a 3 inch red or blue stripe 1 foot from top and another down 1 foot from that.

Pole Bases:

Black rubber base, 14 lbs., 6 inches tall, 14 inches across. Total weight, with pole and converter, approximately 16 lbs.

Section I

Six (6) poles shall be set in a straight line, spaced 21 feet apart with the start/finish line 21 feet in front of the first pole.

Section II

The rider crosses the start line, races to No. 6 pole, pivots and bends back through poles, pivoting No. 1 pole, bends back through poles, turns and races across finish line.

Section III

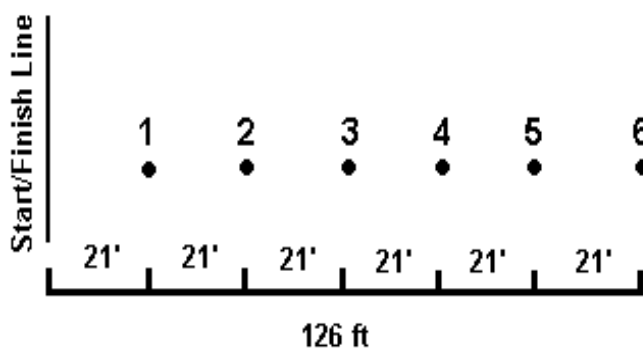
Standard 1" pole schedule 40 or 80 white plastic pipe, 80 to 81 inches long.

Section IV

Pole to have a plastic converter to secure pole in base either by a cotter-key or gluing together.

Section V

In individual polebending, poles may be reset when knocked down. In team polebending, poles shall be reset, if possible, when knocked down.



California Stake Race (Individual)

Section I

One pole is set 120 feet from the start/finish line. Rider crosses the start line and races down and around the pole, turning left or right, and back across the finish line.

Section II

Western Horsemen of Oregon penalties and disqualification apply.

Figure 8 Stake Race

Section I

Four poles are to be used: Two set 120 feet apart at opposite ends of the course with two center poles set 30 feet apart at a point half-way between the two end poles. These two center poles will mark the starting and finish line.

Section II

Rider starts between two center poles and runs to first pole turning right or left

(optional), races to second pole turning in opposite direction of first pole and races to finish line. A pole knocked down in Figure 8 before you start your course is a No Time.

Texas Barrels (Individual)

Section I

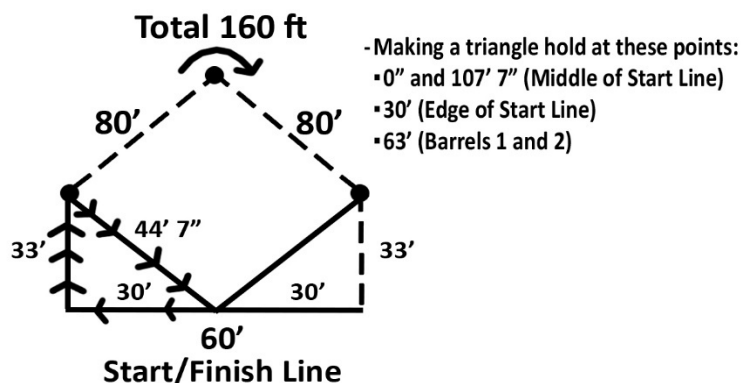
Three barrels shall be placed in a triangular formation. No. 1 and No. 2 barrels are set 33 feet from the start/finish line and 60 feet apart. No. 3 barrel is 80 feet from No. 1 and No. 2 barrels. To square barrels with arena measure as follows: 30 feet from middle of starting line (in line with starting line) then 33 feet to barrel and 107 feet 7 inches back to middle of starting line, making a triangle.

Section II

Rider crosses starting line, circles No. 1 barrel to right, crosses to No. 2 barrel, circles it to left, rides to No. 3 barrel, circles it left and races across the finish line; OR crosses starting line to No. 2 barrel, circle it to left, crosses to No. 1 barrel, circles it to right, runs to No. 3 barrel, circles it to right and races across finish line.

Section III

Barrel Weights: Plastic Barrel with rimmed bottom 30 to 35 lbs. Optional dirt, sand or steel ring put on inside rim of barrel. Barrels can use Barrel Covers at approved shows over approved barrels.



Scurry (Individual)

Section I

Jumps to be overall two feet high and painted white. Scurry poles to be 14 feet in length, with a minimum of 3 inches to maximum 4 inches in diameter made of wood.

Section II

There shall be three jumps parallel to each other and spaced 30 feet apart with the starting line 30' in front of the first jump, and a "turn-around" barrel 30' beyond the third jump.

Section III

Rider will cross the starting line, then over all three jumps, around barrel, back over all three jumps, and cross the finish (and starting) line.

Section IV

For safety reasons a mandatory 30-foot starting mark is required. Rider must have a horse under restraint at this mark.

Flag Race (Individual)

Section I

Two containers are placed 100 feet apart. The first container shall be 20 feet from the starting line. Sticking in the soil of each container will be a staff to be a minimum of 1 inch and a maximum of 1-1/8 inch fir or hemlock doweling, 5 feet long, painted white, bottom inch tapered to a dull point. Flag to be a sturdy cotton (double thickness, hemmed, 8 inches by 12 inches) one white and one dark, wrapped completely around the top of the staff and tacked securely, leaving an 8 inch by 8 inch portion free from staff.

Section II

Rider crosses starting line, goes to first container taking that flag from container and going around second container, exchanges flag in container, goes

back to first container and places flag from the second container into the first container, then crosses the finish line.

NSCA Flag Race

Section I

There shall be a 55 gallon barrel set 120 feet from the starting line with a three (3) pound coffee can filled 3/4 full of sand or soil and centered on top of the barrel. A wooden stake, 14 inches long, and a minimum of 7/8 inches in diameter shall be placed in the can with a flag wrapped and tacked with a 4-inch square remaining.

Section II

At starting signal, rider crosses starting line, goes down and around barrel and carries flag back across starting line.

Section III

Knocking over can and/or barrel is a five (5) second penalty. Dropping the flag before crossing finish line is a disqualification.

Keyrace

Section I

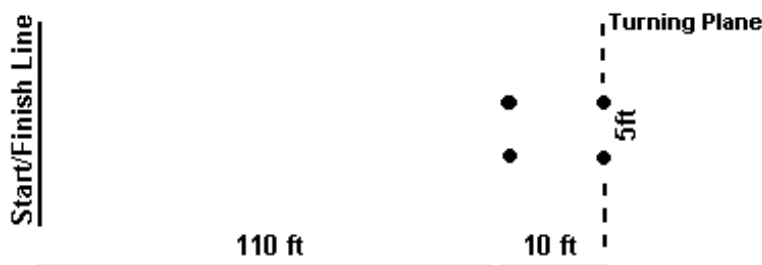
Distance of 120 feet. Four poles are placed 5 feet apart at marks 110 and 120 feet from the start/finish line.

Section II

A rider races between the poles, across the turning plane, turns and reverses course through the poles and finishes. Rider is disqualified for knocking down any of the poles.

Section III

It will be considered off course when horse goes by 1st poles on outside.



Two Man Rescue Race

Section I

Rider to be rescued shall stand at a line 120 feet from the starting line.

Section II

Mounted rider crosses starting line at signal, races to man to be rescued, picks him up and races back across the starting line (See General Rules for definition of "mounted"). The rescued man must be mounted behind rider.

Section III

Rider to be rescued must not run out across 120-foot line to meet rider, but must remain behind the line.

Section IV

Rider failing to complete his mount and landing over the line may go back and try again. If, however his knee crosses over the centerline of the horse's back (mounted) he shall be disqualified for touching the ground.

Section V

When marking the course, the mount line should be on course side of 120 feet and it should be measured like a big rectangle to make sure line is square, and that one end is not farther from starting line than other end.

Two Man Birangle

Section I

Two poles 30 feet apart shall be placed 120 feet down the course from the start/finish line.

Section II

First rider turns either pole from the inside out, then turns the opposite pole from the outside in (either two left or two right turns). Then rider races across finish line. The second rider is to run the same course, having the option of which direction to turn first.

Two Man Three Barrel Flags

Course: 120 feet long with No. 1 container 20 feet from starting line which is also the finish line. No. 2 container is set 70 feet from starting line and No. 3 container at 120 feet.

Section I

Three quarter barrels and two standard flag race flags shall be used. At start, a flag is placed in No. 1 and No. 3 containers.

Section II

First rider takes flag from No. 1 container and places it in No. 2 container, races around No. 3 container, removes flag and brings it back, also placing it in No. 2 container and crosses the finish line. Second rider races to No. 2 container, takes either flag, races down around No. 3 container while placing flag in it, runs back taking other flag from No. 2 container and places it in No. 1 container, then races across the finish line.

Section III

If a flag is dropped or misses container, the rider dropping the flag or missing container must retrieve same and place flag in proper container, and be mounted when crossing the finish line. First rider may designate position of flag for start.

Section IV

If barrel is tipped over and flag remains in barrel or an empty barrel is tipped over, next rider may reset barrel, but if flag drops out of barrel, rider must reset his own barrel.

Team Baton (Team of Four)

Section I

Distance to be 120 feet from starting line to barrel.

Section II

Rider will start at starting end of course. At signal from Judge, first rider will race to other end, pivot around barrel and race back across starting line and give baton to next man until all riders have completed the course.

Section III

A standard baton to be approximately 18 inches long, made of rope, rubber, plastic or their combination.

Section IV

The passer or receiver must retrieve a dropped baton at the time of passing. Riders must be mounted at all times when crossing the starting or finish line. With the exception of the last rider, a rider missing the baton may run the barrel, return for the baton and then correctly run the course.

Team Poles (Team of Four)

Section I

The poles and their spacing shall be the same as in Polebending Individual.

Section II

First rider will ride the course as in Polebending Individual. Second rider enters course when first rider has completely crossed finish line. Number 3 and

4 riders repeat same course.

Team Flags (Team of Four)

Section I

Two containers are placed 100 feet apart. The first container shall be 20 feet from the starting line. Sticking in the soil of each container will be a 5 foot white staff with flag.

Section II

Contestant crosses starting line, goes to first container taking that flag from container and going around second container, exchanges flag in container, goes back to first container and places flag from the second container into first container, then crosses the finish line. Number 2, 3, and 4 contestants repeat same course.

Section III

If a flag is dropped or misses container, the rider dropping the flag or missing the container must retrieve it and place flag in proper container and be mounted when crossing the finish line. First rider may designate position of flag for start (refer to Section 2 of Penalties).

Section IV

If barrel is tipped over and flag remains in barrel or an empty barrel is tipped over, next rider may reset barrel, but if flag drops out of barrel, rider must reset his own barrel.

Bareback Relay (Team of Four)

Section I

Teams shall consist of four riders and one horse with the first rider mounted at the starting line (see General Rules for definition of “mounted”). Use of neck rope is optional.

Section II

Distance from starting line to barrel shall be 100 feet.

Section III

At starting signal, first rider rides down, turns barrel, returns to starting line, dismounts, second rider mounts, rides the course and so on until all four riders have completed the course.

Section IV

Any rider falling off while on course disqualifies the team. If a rider falls off in mounting he may lead the horse back over the start line and proceed to mount.

Section V

Riders are allowed to wear Tennis Shoes during competition.

Canadian Flag Race (Team of Four)

Section I

Four flags 42 inches in length shall be spaced at 2 foot intervals, one end in the ground no more than 6 inches, with the first flag 100 feet from the starting line, which is also the finish line, and the fourth flag 106 feet from the starting line.

Section II

First rider races down around all flags, picks up flag farthest from the starting line and brings it back across the finish line. Remaining riders follow the same action each taking the farthest flag in line until all have completed the course.

Section III

Any flag knocked down must be picked up by the next rider in his own turn.

MISCELLANEOUS EVENTS

Bareback Rescue

Section I

There shall be four riders and one horse with 100 feet between starting line and rescue line.

Section II

One rider is to be mounted at the starting line and the remaining three riders opposite at the 100-foot line. At starting signal, first rider races down and another mounts behind him with no assistance either in mounting or holding of the horse by other than the mounted rider. The two riders race to the starting line where the front man must dismount behind the starting line before remaining rider returns for a teammate, and so on until the last rider deposits his man behind the starting line. He then runs down to the 100-foot line and back, making a round trip, solo.

Section III

No neck rope allowed. If one or both riders fall off before crossing the starting line, they must remount and continue on course from point of spill.

Section IV

Hitting, slapping, or throwing material at the horse by unmounted teammates is a disqualification.

Cowhide Race

Section I

There will be two contestants to each team. A hide of at least 6 sq. feet is used. Hide is attached to a rope not to exceed 30 feet in length, which shall be dallied (no hard, fast tie permitted) to the horn of the saddle.

Section II

Horse and rider must drag hide the length of the course and over the hide line at the far end of the 120 foot course. Horse must have all four feet over the line. Teammate rides hide back over finish line, which is also starting line.

Section III

Teammate riding must be stationed behind the hide and must be prone, sitting or kneeling on the ground as he crosses the hide line. He is not required to maintain continuous contact, with hide throughout the entire race nor be on top of the hide, but must be pulled completely across the finish line. Hide rider may wear coveralls, headgear, and footwear other than western.

Section IV

Contestants must be 16 years of age or older.

Cloverleaf Barrel Race

Section I

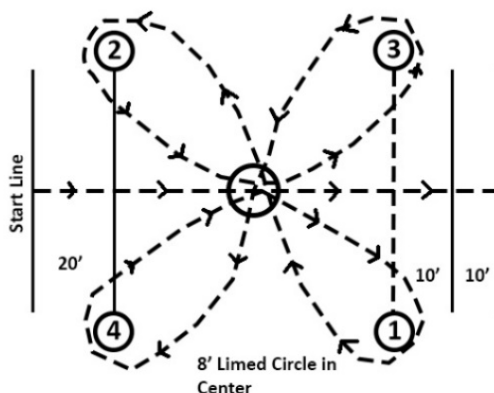
Four barrels are set in a square, 50 feet apart. Starting line is 20 feet back from a line running between barrels No. 2 and 4.

Section II

Contestant crosses starting line, rides across 8 foot limed center circle in center of cloverleaf, turns right around No. 1 barrel, across circle to No. 2 barrel, turns No. 2 barrel to left, back across center circle to No. 3 barrel, turns No. 3 barrel to the left, rides back across center circle to No. 4, turns it to the right, rides back across center circle to a line 20ft from No. 1 and No. 3 barrels, then backs horse across line 10 feet out from No.1 and No.3 barrels. Horse must touch second line with front feet then back until all feet are on cloverleaf side of first line. Time stops when all four feet are back of first line.

Section III

Not crossing center circle will be considered off course and thus a disqualification.



Flag Race – Four Barrel

Section I

There will be four weighted containers in a square pattern with 60 feet between containers. The starting line shall be 20 feet from the first container. Each container will contain a flag of different color of 5-foot standards.

Section II

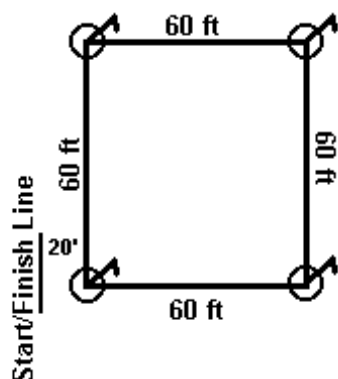
At starting signal, rider goes to the first container, takes that flag and deposits it in the 2nd container, taking that flag on to the 3rd container, where he picks up the other flag, taking it to the 4th container, taking the flag from the No. 4 container to the empty No. 1 container, then on to cross the finish (and starting) line.

Section III

Rider must ride on the outside of the containers but may circle a container if he misses the flag at the first attempt. A left-handed rider may have the privilege of taking the course in reverse.

Section IV

Flag must be in the same position in the containers for all riders.



Potato Race (Team of Four)

Section I

Two containers, containing 8 to 10 inches of sand or dirt, will be placed 100 feet apart. Starting line will be 20 feet in front of the first container. Four potatoes of uniform size will be placed in the second container. Each team will be given 4 sticks with angles at the end of each stick.

Section II

No. 1 rider will cross the starting line, race to No. 2 container, spear a potato, race to No. 1 container, placing potato in that container, and then race to the finish. Rider No. 2 will duplicate the course, as will riders No. 3 and No. 4. Time is stopped as No. 4 rider crosses the start/finish line.

Ribbon Race (Team of Two)

Section I

A barrel is set 120 feet from the starting line. A breakable ribbon, approximately 6 feet long is used, one rider holding each end. A two-inch strip cut across a bolt of crepe paper is most desirable. Riders may not hold hands.

Section II

Riders cross starting line and race down and around the barrel, both riders

going around the same direction, and run back across the finish line. Barrel may be turned either to the left or the right.

Section III

Loss of ribbon by either rider or breaking ribbon is a disqualification.

Stake Race

Section I

Three round wooden stakes, 42 inches long, shall be used. They may be placed in a container or stuck in the ground at a distance of 120 feet from the starting line. One container for each set of stakes must be provided at the starting line.

Section II

Riders, at starting signal, shall race from the starting line to the stakes, pick up one stake, and return it to the starting line, placing the stake in the container and returning for another, and so on, until all stakes are ferried to the starting line. After the rider deposits all three stakes in his container, and container is upright, he must ride across the finish line, which is 30 feet beyond the containers. Whenever used as a time event, refer to Section 3 under Penalties.

Equipment

The following equipment shall be used whenever any of these terms are used. All equipment is to be standard according to specification.

- Show committees are to furnish equipment for all events (baton and cowhide excluded) and equipment is to be uniform for all lines of competition. An event will not be allowed as approved if run with substandard equipment.
- It is mandatory to secure poles to base. Optional - Poles: 1 foot down a 3-inch stripe, another foot down another 3-inch stripe. Barrels: predominately white, option of red or blue stripe marked in middle of

barrel. If metal barrels are used they should have both ends intact and have a bicycle tire safely attached around the rim. Sandpaper must be used on a barrel that does not have a lip for NSCA.

- Containers: Quarter barrels, painted white and containing 8 to 10 inches of sand or soil.
- Mounting Block: Prior to the event beginning (specifically Team Baton, Team Poles, Team Flags, 2 Rider 3 Barrel, and individual Flags), a mounting block can be placed at the middle of the arena along the side wall, same on each side. Only the rider may move mounting block for use. After rider is mounted, arena crew will move mounting block to original position. Rule does not pertain to Bareback Relay or Rescue Race. Optional and provided by team/rider.
- Other equipment is described under the events where used.

Penalties

There shall be a 5 second penalty for each of the following:

Section I

For each knockdown of a stake, pole or barrel other than those used as containers; each time a stake, pole or barrel is knocked down and rights itself.

Section II

In the flag race, potato race or stake race if the 1st rider fails to put flag in the last container and crosses the finish line. When the ring crew mistakenly resets either a knocked down container, misplaced flag or the combination.

Section III

In the flag race, potato race, and stake race, riders must re-set the containers: in scurry events, poles shall remain down until the rider clears the course; in individual polebending events, poles shall not be re-set when knocked down while rider is on course; in team polebending event, poles shall be reset

whenever possible when knocked down; in all other events, ring crew will re-set equipment.

Disqualifications / No Times

Section I

Runouts, refusals, leaving the course, upsetting starting poles (crossing the starting plane outside of the starting poles, and circling any obstacle while on course except Flag Races and other container events). In the Scurry, all four feet must pass over the jumps. A balk is not considered a refusal if the horse finally finishes the course correctly. Any horse, which completely passes an obstacle on the wrong side, will be considered off course.

Section II

When two lines are run and rider does not take the side that is open.

Section III

Whipping a horse with property of the event, including behind the starting line, after first horse enters the course, with the exception of track events and arena relay.

Section IV Unsportsmanlike Conduct

Judges may disqualify riders for use of profane language, unnecessary roughness, abusing the horse, or disorderly conduct of any kind and may disqualify an unmanageable horse for reasons of safety. Decisions of the judge shall be final.

Section V Loose Horse

Defined as separated from and out of control of contestant. A ground tied horse shall be considered in control. Ground tied is any horse within a horse length of the rider.

Section VI

Failure to start within 30 seconds of starting signal.

Section VII

Teams will be disqualified if horse waiting his turn crosses the starting line before the horse completing the course crosses the finish line completely.

Section VIII

In all events which require mounting or dismounting in the course of the event, any rider mounting from the wrong side of the line, or dismounting to the wrong side of the line. Riders must remain on designated side of the line at all times until mounting and after dismounting. Horse must have all four (4) feet over the line.

Section IX

Infractions of Section 5 General Rules, results in disqualification of both riders and/or horses.

Section X

In the Flag Race, Potato Race or Stake Race, any container that is knocked down after the time has stopped.

Section XI

In Flag Race, failure to complete course with flag portion of broken staff.

Section XII

Circling any object more than once, with the exception of those considered containers.

Classification Rules

- Horses shall be classified on the basis of three (3) fastest times since October 1962 in approved shows. All time breaks for each class in each

event are on a supplement page to these rules. Horses may be reclassified to a lower classification upon request of the owner to the Points Secretaries in writing, after ten (10) consecutive times within the same season (Aug-Jul) in a lower class in approved events, exclusive of penalties, upon approval of a majority of the committee.

Purpose of Reclassification: For horses that can no longer achieve the times within their classification and/or change of ownership with a novice rider. This request is meant for reclassification in all events and not one specific event.

- A lower classified horse may compete in a higher class. All times run shall be considered for reclassification. If a contestant wishes to run for “time only”, they must indicate so on their entry form. The times will be recorded, but not used for Annual Award, Interstate or placings. At which time a contestant wishes to compete for awards, jackpots and points, they must notify the points secretary at least one month in advance of the show they wish to compete in. They will be issued a classification card stating the ratings the horse received while riding for “time only”, and will be required to be riding in classes accordingly. Points secretaries will be able to notify people of classification changes electronically.
- Annual date for figuring Annual Awards and Interstate qualification will be August 1st of each year. In the case of a two day show by one sponsor falling on July 31st & August 1st which would be the end of one point year and the beginning of another point year, times and points from both days would count for the current year, and not the next year.
- After notification of class rating, the illegal entry of a horse shall nullify all accumulated points and times from the Annual Awards cut-off date up to and including the date of violation in the said class with board approval.
- Whenever an unknown horse enters a show, it should be considered as a class D horse unless the owner or rider designates it as a higher class. After

three (3) times above D class the horse shall be classified. Non-Member times are to be recorded. A classified horse will not be allowed to make any exhibition runs in a lower class.

- The committee shall rule on all classification problems, shall keep accurate and up-to-date records of all times from approved shows in duplicate, and figure all averages of times for Interstate and Annual Awards. The Board of Directors must approve any changes made by the committee.

- The classification rating may be changed after the completion of a performance if one set of classification books is available and up-to-date at that time.

- It will be up to each show chairman to offer Pee Wee classes at a show. Flag events and two or four man team events are not allowed in Pee Wee classes. Times to count for Classification only.

- The deadline for confirming a rider going to Interstate will be 3 business days from date of notification , at 12 midnight. Secretaries must receive word by mail, e-mail, phone, or in person. If no confirmation is received, the rider will not be called by phone to ask if he/she plans on going. Instead, the points secretaries will notify the next in line rider by phone and give them the chance to ride. If they cannot go, the next rider in line will be called until the position is filled. Points secretaries will accept no collect phone calls, and no exceptions to this rule will be allowed.

Current A-B-C-D Time Breaks

POLEBENDING

- A Under 21.500
- B 21.500 - 22.509
- C 22.510 - 24.509
- D Over 24.509

SCURRY

- A Under 9.400
- B 9.400 - 10.009
- C 10.010 - 11.009
- D Over 11.009

KEYRACE

- A Under 8.750
- B 8.750 - 9.509
- C 9.510 - 10.259
- D Over 10.259

TEXAS BARRELS

- A Under 15.000
- B 15.000 – 15.759
- C 15.760 – 16.509
- D Over 16.509

KEYHOLE

- A Under 7.250
- B 7.250 - 7.759
- C 7.760 - 8.509
- D Over 8.509

NSCA FLAG RACE

- A Under 8.000
- B 8.000 - 8.509
- C 8.510 - 9.509
- D Over 9.509

FIGURE EIGHT

- A Under 10.700
- B 10.700 - 11.009
- C 11.010 - 12.009
- D Over 12.009

INDIVIDUAL FLAG RACE

- A Under 8.250
- B 8.250 - 9.009
- C 9.010 - 9.759
- D Over 9.759

Supreme Horse Time Breaks

A horse must run 2 times in Poles, Barrels, Figure 8, Keyhole, & either Individual Flags under the times listed below:

Polebending.....	20.400
Texas Barrels.....	14.500
Figure 8.....	10.300
Keyhole.....	7.000
Individual Flags.....	7.850

A special classification card and buckle will be presented to the owner of any horse earning the required Supreme times.

W.H.O. GENERAL POLICIES AND PROCEDURES

MEMBERSHIP POLICIES

Junior Membership (17 years & under)_____	\$30.00
Senior Membership_____	\$30.00
Family Membership Maximum_____	\$75.00
Club Affiliation_____	\$100.00

**Family membership shall consist of all immediate members of the family up to 18 years of age who reside within one household.*

For Horse Show purposes the age of an individual on August 1st shall be maintained throughout the entire show year. Persons born on August 1st shall assume the greater age on that date. The membership year shall run from August 1st through July 31st. Membership dues are due on August 1st.

SHOW APPROVAL

Request for show approvals should be made to the approval chairman. Shows to be held on Friday evenings, Saturdays, Sundays or Holidays. An application will be sent to you upon request and must be returned 10 days prior to your show with an approval fee of \$35.00 for a one-day show and \$50.00 for a two-day show. A surcharge of \$.85 per class per horse shall be charged and a \$10.00 non-member fee per show charged and agreed to as part of the approval. To qualify for approval, schedule must include 3 game events under the annual award system. No WHO show can be changed to a new location after the show has been approved and posted. This must have the majority of the board to move the show. This is the WHO Junior show, the Summer show, Beat Washington Meet, and any Princess show that WHO puts on. Additionally, the Chair of these shows will get board approval on arena fees for the shows. No changing of classes after show is publicized except emergencies or safety reasons. If classes are changed, riders are entitled to their entry money back.

There shall be a \$3.00 maximum entry fee, unless approved through Western Horsemen of Oregon Board. At jackpot shows, at least 1/2 of the entry fees are to be put back into pot after \$.85 surcharge is taken out. Surcharge to be divided as such: \$.075 to each point secretary, \$.20 to Beat Washington Show and \$.50 to Western Horsemen of Oregon. Each contestant will be charged a Judges & Timers fee of \$2.00 per rider per day. Approved shows shall abide by the rules in this book with no deviations. Class sheets will be sent to the Points Secretaries by Priority Mail within 48 hours of the show. If the postmark is after 48 hours there will be a \$25.00 per day penalty. The exception to this rule relates to the last show of the season. If you are not able to physically hand the sheets to the Points Secretaries, they are to be Priority Mailed within 24 hours of the show. Reason for exception, Interstate notifications have to be out to riders by August 10th and riders must respond by August 15th. Interstate notifications will be sent by text message, email, or regular mail. Approved Judges and Timers must be used.

The show approvals chairman shall send out an information sheet upon approval. Class sheets shall be a three-part form. The main timekeeper shall write through the top (white) copy. The second and third copies (leaving them attached) shall be used by the other timekeeper. The fourth copy is to be used by the announcer. The third copy of the class sheet (from the second time keeper) shall be posted throughout the day and for one-half hour after the show for riders to check for accuracy of names, horses, and times recorded. Any discrepancies shall be verified, corrected and initialed by the show secretary on all duplicated copies of class sheets. ("Posted" means made available for review.) If, after the show times have been posted online there is a question, the interested party shall have 48 hours to contact either of the points secretaries to verify the time was correctly recorded from the show sheet. If there has been no posting error the interested party shall contact the Points Secretary by mail or email with an appeal of the time in question. The Points Secretary shall take the appeal to the Board for a vote on the appeal. Since this could affect a horse's classification, the President may hold the vote electronically to correct any

errors as quickly as possible. An appointed person shall place the posted copies in a notebook for a period of one year. Invitational or restricted shows do not count for Annual Awards.

W.H.O. RECORD PROCEDURES

State records shall not be recognized unless the rider is a member, and if applicable, a proper lease is in order. For a record time to qualify, the course must be measured immediately following the run and cannot be more than 8" short in overall length. In the Keyhole race the course cannot be more than 4" over the correct width of the neck or 4" shorter than the correct length of the neck. Time between the first and second timer shall not be more than 10/100ths of a second, unless both times are under the record, then the first timers' time is used. Judge must verify the time, and both Judge and Timer must sign the time sheet. This form is then submitted to the Points Secretary. All record tying runs shall be measured unless horse/rider combination is current record holder. All timers must use 100th second watches. If any questions on record, it must be brought before the Board for approval; if not, it stands as a record immediately. Record plaques are awarded to horses holding current records in Polebending, Barrels, Figure 8, Keyhole, NSCA Flag Race, Individual Flag Race, Keyrace, Two-Man Rescue, Two-Man Three Barrel, Two-Man Birangle, Team Baton, Team Polebending, Team Flags, and Bareback Relay. When record is broken and the rider has to give up their plaque, they will receive a smaller one to keep.

Oregon Record Times

- Poles: Cassie Pierce, Salsa, 19.272
- Barrels: Ashley McVay, Bill, 13.51
- Figure 8: Amber Moore, Philip, 9.62
- Keyhole: Robbie Herbison, Wilma Wonka, 6.45
- NSCA: Amber Moore, Phillip, 7.40
- Keyrace: Chase Ross, Holley's Dandy Man, 7.95
- Ind. Flags: Amber Moore, Phillip, 7.55
- Scurry: Debbie Taylor, Cat's Top, 8.32
-
- 2-Man 3 Barrel: Ken & Jerry Larson, Jippy Dew & Brandy, 16.42
- 2-Man Rescue: Tom Delker & David Trachsel, Mia Devil Too, 7.86
Amber Moore & Tom Delker, Phillip, 7.86
- 2-Man Birangle: Terri Leach & Patsy Neely, Pochito Ben & Juniper Creek,
22.45
-
- Team Flags: Jerry, Ken, Wendy Larson, Sharon Woods, One Way, 34.13
- Team Baton: Dairy Queens-Denise Parlette, Zoe Behrens, Vicki Jacobsen,
Sue Rosdahl 32.96
- Team Poles: The Unpredictables - Al & Evelyn Barber, Patsy Neely,
Terri Leach, 84.10
- Canadian Flags: The Outlaws - Jim Pickrel, Ken Larson, Jerry Larson,
Sharon Woods, 30.45
- Bareback Relay: Chase Ross, Stormy Ross, Ken Larson, Tom Delker;
Holley's Dandy Man, 38.82

BEAT WASHINGTON SHOW

Beat Washington Show is an approved WHO show with added money. Qualification: It is an open show with the exception that the participant must have been a paid member prior to July 31st of the current year to be eligible to compete for the **added money**. It is an open show with no daily paybacks and \$3.00 entry fee. Pee Wee riders must be 10 years or under as of August 1st, and may ride any horse. Pee Wee riders must have ridden at six (6) WHO approved shows, of that year, in order to qualify for awards. The overall Beat Washington Show budget will be set at \$3,150.00 or the total of the Beat Washington surcharge raised for the year, whichever is less (unless reserved funds from previous years are available to make up the shortfall). Should the total funds be less than \$3,150.00, the fund distribution should be proportionately reduced. The funds are to be equally distributed as follows:

\$75 to go to awards

1st place - \$25

2nd place - \$20

3rd place - \$15

4th place - \$10

5th place - \$5

A championship award shall be given to: high point junior, high point senior, four-man team, two-man team, as well as the fastest time in each of the five (5) individual events. The budget for these awards is \$800.

INTERSTATE

Date: Labor Day Weekend, Saturday and Sunday

Location: TBA

Competition: Oregon vs. Washington

Qualification: Based on an average of three (3) best times of the season from two different arenas. Invitational or restricted shows do not count towards Interstate. Horse and rider may only qualify once in an Interstate Event. If a rider qualifies on two horses in the top ten averages for Interstate, the rider may choose which horse to ride. The rider has five (5) days in which to notify the point secretary of his/her choice. However, if his/her first choice horse is hurt, sick, or if the rider feels the horse is not performing to its best ability, the rider may use their second qualifying horse before the state pulls in the next horse and rider combination.

Invitations: Top ten - Junior & Senior individual events
Top ten - Two-Man events
Top five - Four-Man events

Points: 20, 19, 18, 17...1 in individual, two-man & four-man events;
less disqualifications

Team Substitutions. If a cancellation should occur, the next fastest average should be pulled in up to the second alternate (12th team). In two-man team events, if the first two alternates are not available or are already being used as substitutes, teams may be put together with preference given to riders who qualified in the top ten but whose partner is not present or is unable to compete.

Substitutions: A "Team Captain" will designate four-man teams. At the

conclusion of the points year, the Team Captain will notify the Points Secretaries of the four-riders/horses, which will comprise the team for the purpose of Interstate and annual awards. A Team Captain shall only have one team for both purposes. In the event we are unable to fill all the positions for two-man and four-man events (excluding Team Baton) with the methods listed above, the President and Points Secretaries will set a deadline for submissions to ride at Interstate. The proposed teams must be submitted to the Points Secretaries, in writing by the set deadline. The Board will accept applications from the past year's general membership to compete on the Interstate team only. A committee consisting of three or more of the executive board members, and the Points secretaries will consider all submissions and make the final decision on who will ride at Interstate. Their decision will be based on the following criteria:

1. Experience competing in the event.
2. Safety competing in the event.
3. Which team(s) provide the best chance for Oregon to win Interstate.

Awards: Interstate Championship and Oregon Governors Trophies to the winning state. Championship buckles to event winners. Awards to Reserve winners, \$25.00 to the rider or riders of the day breaking record.

JUDGES/TIMERS

Procedures for Obtaining a Judges/Timers Card

- Must be a Western Horsemen of Oregon member for a least 1 year, attend a clinic and take a closed-book test. The age limit is not to be under 16 years of age and is under discretion of the Judges and Timers Committee.
- Must work behind permanent officials, including two (2) complete shows and three (3) partial shows. A partial show consists of at least ten (10) events.
- Student timer or judge must give a card, to the permanent timer or judge that they work behind, to be filled out by them and given to the Judges and Timers Chairman.
- When a student Judge or Timer meets all of these requirements and is approved by the Judges and Timers Chairman and the Western Horsemen of Oregon Board, he/she will become a Tentative Judge or Timer. The Judges and Timers Committee shall have the authority to issue a tentative card pending approval of the Board at a regularly scheduled Board meeting. After one year, if there are not too many written complaints against them, they will be asked to take another written and oral test to be approved by the Committee and Board to go Permanent.
- To maintain a card, he/she must keep up a membership in good standing, attend at least one (1) clinic and judge or time one (1) show. If the person has been a Judge/Timer for five (5) or more years, no annual test is required. When the Judges/Timers test is ALL current, Judges/Timers will be required to take it. (Once if greater than five (5) years, annually if less than five (5) years.)

- When a Judge or Timer takes a test to obtain or maintain their card, they must have a passing score of 80% or better. If the score is lower than 80%, they may retake the test within a month of receiving the score. If the Judge or Timer receives two failing scores in a row, then their card would be suspended until Board approval to be reinstated.

Option 2

- A letter of recommendation from a permanent WHO judge or timer.
- Must pass WHO judges or timers test.
- Be a longstanding WHO member of 5 years or more.
- Complete supervised judging or timing for 3 full shows.
- Maintain a tentative judge/timer standing for at least one year.
- Permanent card will be issued with approval of the Judges and Timers Committee.

Reinstating Lapsed Judges and Timers

If a previous permanent Judge and/or Timer has lost their card from failing to maintain annual requirements, meets all the requirements below, and is approved by the Western Horsemen of Oregon Board, they will be reinstated as a permanent Judge and/or Timer.

- Must have maintained WHO Membership (or be a Gold Card member).
- Must have been a permanent Judge/Timer for at least 5 years prior to losing card.
- Been without a Judges/Timers card for no more than 1 year.
- Retake Judges/Timers test.

Watches/Electric Timers

- At least 100th second digital watches required.
- Electric clocks definitely recommended.
- Starting poles to be set on “off course side” with clock lights set “on the line”.
- Electric timers to be responsibility of the Judges and Timers Chairman.
- Timers will be at all shows put on by Western Horsemen of Oregon.
- Private clubs wanting to use electric timers must make arrangements with Chairman.
- Western Horsemen of Oregon charges twenty dollars (\$20) per day per timer for use. Timers to be used only at Western Horsemen of Oregon approved shows.
- Judges and Timers Committee to select one person to be in charge of timers.

Official's Duties

Judge:

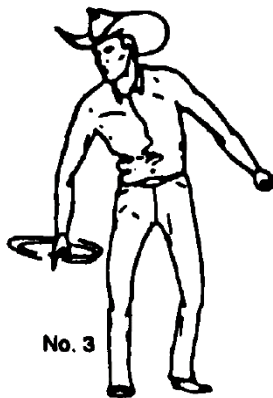
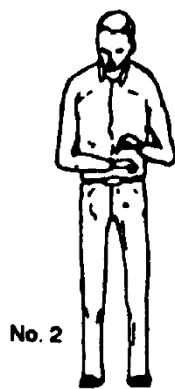
- Have current rule book.
- Should raise arm when course is ready.
- Enforce all games rules.
- Call all penalties.
- Call all disqualifications.
- Read both watches and sign sheet on record run.
- Re-measure the course in case of a record time; it may not be more than 8” short.
- Instruct arena crew on resetting procedures.
- Shall inspect all game equipment prior to use.

Timer:

- CHECK AND KNOW RECORD TIMES BEFORE EACH EVENT.
- Should signal Judge when ready.
- Time events only, no judging.
- Announce times for other timer and secretary - example: 15.419 not 15.4_ or 15.41_.
- Must not reset clock/watch until time is announced.
- Check each time against the back-up timer.
- Sign arena and record-breaking sheets.
- Must not reset clock/watch on record times until checked by Judge.
- In all events, timers should read the time in seconds, not in minutes.

Judges' Signals

1. General disqualification. Signal: Thumb extended with motion over shoulder.
2. Failure to start on time. Signal: Point to wristwatch.
3. Runouts, refusals, or leaving the course. Signal: Large horizontal circular motion.
4. Course is ready. Signal: One fist raised.
5. Two horses on the course. Signal: Arms crossed.
6. Whipping horse with properties. Signal: Slapping thigh.
7. Five-second penalty. Signal: Hand raised with 5 fingers extended. Repeat for 10 or 15 second penalty.
8. Safe or clean run. Signal: Both hands, palms down and extended arm's length in front with a back and forth motion.
9. Unnecessary roughness or abusing the horse. Signal: Both thumbs to the ribs.



Approved Judges and Timers List

P - Permanent T - Tentative

<u>Judge</u>	<u>Timer</u>		
P		Cody Abatie	(503) 706-9804
	P	Jessica Abatie	(503) 556-3769
P	P	Phil Armstrong	(503) 936- 6873
P		Butch Backen	(541) 733-8811
P	P	Tasha Ballstaedt	(503) 949-7679
	P	Becky Bangle	(503) 723-7245
	P	Kenra Bruck	(503) 705-3666
	P	Sari Collins	(503) 510-6525
P	P	Leslie Davis	(360) 892-3256
	P	Sandy Delker	(541) 344-3915
P		Tom Delker	(541) 344-3915
P	P	Geri Deskins	(541) 995-6474
P	P	Tully Ferrando	(503) 545-2131
	P	Pam Fletcher	(503) 398-5492
P	P	Jake Hart	(503) 929-9712
P	P	Sara Hart	(503) 708-1525
	P	Austin Kennell	(503) 317-2222
	P	Suzie Kennell	(503) 317-2222
P	P	Nick Meuret	(503) 816-6294
T		Tiffany Meuret	(503) 969-7462
	P	Bill Neely	(541) 688-2083
	P	Tanya Nielsen	(503) 801-4186
	P	Marilyn Norris	(503) 860-5795
P		Pippi Somatis	(541) 401-7036
	P	Kayla Sawyer	(503) 929-4008
P		David Trachsel	(503) 307-2504
	P	Nikki Teune	(503) 936-2853

ANNUAL AWARDS AND CONVENTION INFORMATION

The three times used for all events for Annual Awards cannot be made in the same arena. Annual Awards are given to A, B, C, and D divisions in the following events: Polebending, Texas Barrels, Figure 8, Keyhole, Individual

Flag Race, and Keyrace. Annual Awards are also given in Two-Man Rescue, Two-Man Three Barrel, Two-Man Birangle, Team Polebending, Team Baton, Team Flags, and Bareback Relay. All horse/rider combinations will count for Annual Awards. The deadline for figuring Annual Awards shall be October 1st.

Plaques or cash will be awarded to anyone receiving 20 or more points. 19 points or less will receive only cash. The points will be worth \$1.00 each. The recipient must declare at the beginning of the point year which award would be wanted.

Pee Wee awards will be given to the pee wees that have ridden at six (6) shows throughout the year.

System for Figuring Stacked Awards

Individual events:

1st - 15 points; 2nd - 14 points; 3rd - 13 points; 4th - 12 points; 5th - 11 points; 6th - 10 points; 7th - 9 points; 8th - 8 points; 9th - 7 points; 10th - 6 points.

Two-Man events: 1st - 12 points; 2nd - 11 points; 3rd - 10 points; 4th - 9 points; 5th - 8 points; 6th - 7 points; 7th - 6 points; 8th - 5 points; 9th - 4 points; 10th - 3 points.

Four-Man events:

1st - 10 points; 2nd - 9 points; 3rd - 8 points; 4th - 7 points; 5th - 6 points.

Non-Members will not receive points. Points will go to the next placing member.

Junior and senior placing put on Annual Award, but not added into points.

In individual events, awards are given in A-B-C-D divisions to ten places, two-man teams to ten places, and four-man teams to five places.

In addition to Annual Awards, Western Horsemen of Oregon presents awards to the top 10 Juniors and top 10 Seniors who accumulate the most points in the five (5) individual events in their classification.

A 5-A Blanket is presented each year to horses attaining a rating of “A” in Polebending, Texas Barrels, Keyhole, Figure 8, and Individual Flags (which may be an alternate for Scurry for 5-A & Supreme times). The cut-off date for figuring 5-A Blankets, Record Plaques, and Supreme Buckles, is October 1st of each year. If awards can't be ready in time for convention, then certificates will be handed out until the award can be ready. Those earning 5-A Blankets, Record Plaques, and Supreme Buckles after October 1st will receive their awards at the next year's convention.

NOTES